



PERFECTION GEAR • SW SERIES SWING DRIVES

The SW swing drive incorporates the benefits of AT Style worm gear drives with an integral slewing ring. Its design eliminates the common “stick-slip” phenomenon often associated with traditional worm-on-slewing-ring systems. The SW system absorbs higher shock loads and overturning moments compared to traditional worm gear drives.

The patented SW all-in-one package is the best solution for aerial truck applications. It features pre-set backlash, a hydraulically driven input, and minimizes customer interface machining. SW swing drives are readily available in four standard sizes with other sizes available upon request. All SW products can be modified to customer specifications.

Key Features

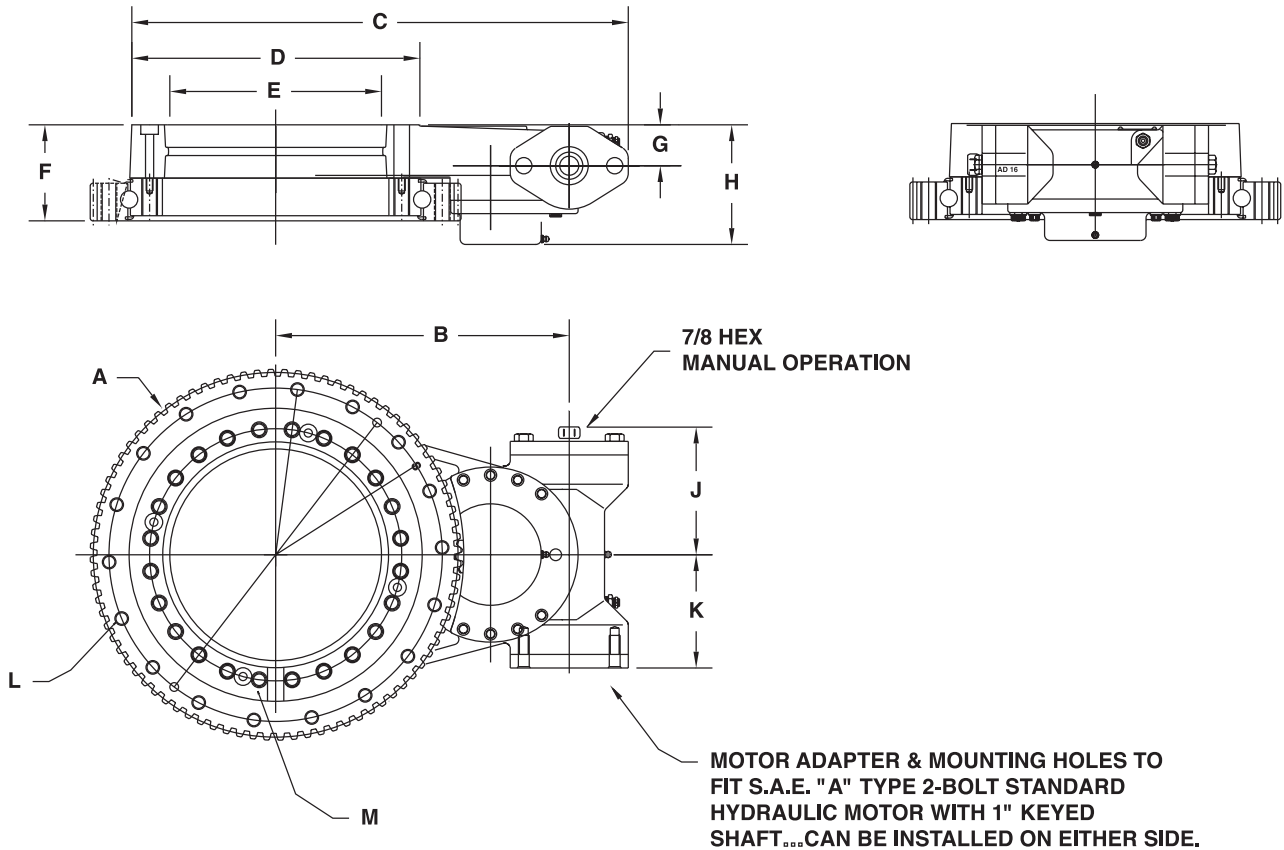
- No Stick Slip
- Requires Two Flat Surfaces for Mounting
- One Source for Complete System
- No Gearbox to Mount on Opposite Side of Mounting Plate
- Modular Construction for Simple Installation
- Pinion Supported on Both Sides
- Hardened Steel Worm, Tapered Roller Bearing and Crowned Pinion Teeth
- High Strength Aluminum Bronze Gear

Technical Information

Size	10.03” to 15.23” Center Distance (Primary Worm to Slewing Ring)
Ratio	138:1 to 229:1
Output Torque (in-lbs)	22,500 to 92,000 Capacity
Slewing Ring Bearing (Outside Diameter)	12” to 20” Standard Additional Sizes Per Customer Specification
Overturning Moment (ft-lbs)	20,000 to 90,000 Continuous
Input Option	SAE “A” Mount; 2 Bolt, Keyed or Splined or Per Customer Specification
Other Specifications	Worm Gear Primary Gearbox with Electric Motor Input
Applications List	Cranes and Man-Lifts, or any application where speed reduction is required.



Due to the solid construction of our swing drives, they can withstand the high shock loads and overturning moments that are common to crane usage. Our unique design eliminates the problem of backdriving.



SPECIFICATIONS: PERFECTION GEAR SWING DRIVE MODELS

RATIO	A	B	C	D	E	F	G	H	J	K	L	M	RATINGS	
													Moment ft Lbs	Torque in lbs
SW1200														
138:1	12.46	10.03	17.00	8.60	5.25	4.44	1.88	5.44	4.90	4.30	(16) 5/8-11 ON 10.630 B.C.	(16) 5/8-11 ON 6.890 B.C.	20,000	22,500
SW1500														
171:1	15.40	11.32	19.66	11.25	7.82	4.48	1.88	5.44	4.90	4.30	(16) 5/8-11 ON 13.189 B.C.	(16) 5/8-11 ON 9.449 B.C.	31,000	45,500
SW1700														
190:1	17.08	13.53	22.92	13.27	9.75	4.48	1.88	5.52	5.88	5.23	(18) 5/8-11 ON 15.354 B.C.	(24) 5/8-11 ON 11.614 B.C.	45,000	63,000
SW2000														
229:1	20.48	15.23	26.18	16.38	12.25	4.63	1.88	5.40	5.88	5.23	(20) 5/8-11 ON 18.874 B.C.	(20) 5/8-11 ON 14.374 B.C.	90,000	92,000

HBD Industries Inc. and its subsidiaries cannot accept responsibility for possible errors in catalogues, brochures, other printed materials, and website information, and may change, delete, add to or otherwise modify such information without notice. HBD reserves the right to alter its products without notice, including products already on order, provided that such alteration can be made without changes being necessary in specifications already agreed to. All trademarks in this material are the property of the HBD Industries Inc., or its subsidiaries. The HBD and HBD brands logotype, are trademarks of HBD Industries Inc. All rights reserved.

DISTRIBUTED BY:

HBD/WINSMITH, INC.
 172 EATON STREET
 SPRINGVILLE, NY
 14141-1197 USA
 TEL: 1 (716) 592-9310
 TEL: 1 (716) 592-9546
 www.winsmith.com