



PERFECTION GEAR, INC.

...THE BEST SOURCE FOR SWING DRIVES!



Our hydraulic-driven swing drives are used as rotation devices for cranes and man-lifts, but they are ideal for any application where speed reduction is needed. These unique and patented SW DRIVES offer you:

- No Stick Slip
- Requires Two Flat Surfaces for Mounting
- Traditional Gearing
- One Source for Complete System
- No Gearbox to Mount on Opposite Side of Mounting Plate
- Modular Construction for Simple Installation
- Pinion Supported on Both Sides
- Hardened Steel Worm, Tapered Roller Bearing and Crowned Pinion Teeth
- High Strength Aluminum Bronze Gear

Due to the solid construction of our swing drives, they can withstand the high shock loads and overturning moments that are common to crane usage. Our unique design eliminates the problem of backdriving.

See the reverse side of this flyer for complete details on all the SW Drive Models, including model sizes, product dimensions, specifications and engineering diagrams.



FOR CUSTOMER ASSISTANCE:



PERFECTION GEAR, INC.

AFFILIATE OF HBD INDUSTRIES, INC.

Phone: 828/253-0000 • Fax: 828/253-2649

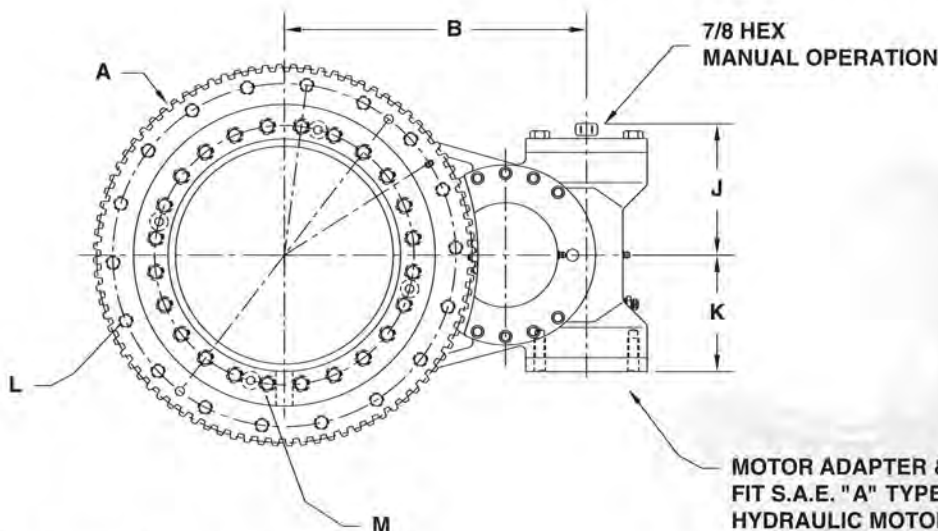
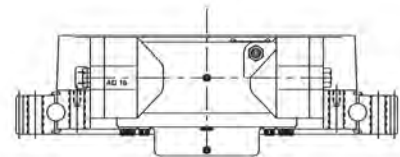
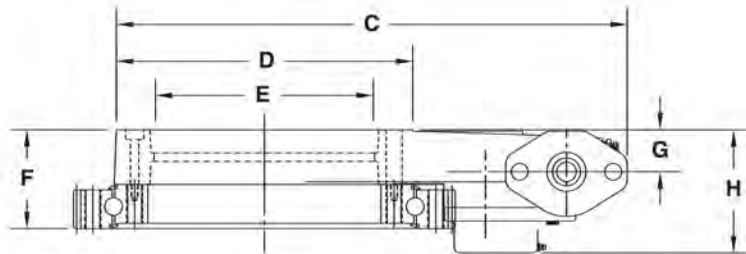
Websites: www.perfectiongear.com • www.WINSMITH.com • www.hbdindustries.com



PERFECTION GEAR, INC.

SPECIFICATIONS: PERFECTION GEAR SWING DRIVE MODELS

RATIO	A	B	C	D	E	F	G	H	J	K	L	M	RATINGS	
													Moment ft Lbs	Torque in lbs
SW1200														
138:1	12.46	10.03	17.00	8.60	5.25	4.44	1.88	5.44	4.90	4.30	(16) 5/8-11 ON 10.630 B.C.	(16) 5/8-11 ON 6.890 B.C.	20,000	22,500
SW1500														
171:1	15.40	11.32	19.66	11.25	7.82	4.48	1.88	5.44	4.90	4.30	(16) 5/8-11 ON 13.189 B.C.	(16) 5/8-11 ON 9.449 B.C.	31,000	45,500
SW1700														
190:1	17.08	13.53	22.92	13.27	9.75	4.48	1.88	5.52	5.88	5.23	(18) 5/8-11 ON 15.354 B.C.	(24) 5/8-11 ON 11.614 B.C.	45,000	63,000
SW2000														
229:1	20.48	15.23	26.18	16.38	12.25	4.63	1.88	5.40	5.88	5.23	(20) 5/8-11 ON 18.874 B.C.	(20) 5/8-11 ON 14.374 B.C.	90,000	92,000



MOTOR ADAPTER & MOUNTING HOLES TO FIT S.A.E. "A" TYPE 2-BOLT STANDARD HYDRAULIC MOTOR WITH 1" KEYED SHAFT...CAN BE INSTALLED ON EITHER SIDE.

FOR CUSTOMER ASSISTANCE:
PERFECTION GEAR, INC.
 Affiliate of HBD Industries, Inc.
 Phone: 828/253-0000 • Fax: 828/253-2649

PG-198878
 Printed in USA

Websites: www.perfectiongear.com • www.winsmith.com • www.hbdindustries.com